

Description

- Material: GR-PP Body and PVC Disk
- Low pressure loss
- Three times stronger and more resistant than metal counterparts
- Application: Irrigation, Construction, Industry, Swimming Pool
- Nominal pressure 10 bar
- High resistance to UV sunlight
- Resistance to deposition
- Water and dilute acid or basic media
- Soft colors and excellent design
- High ability in chemical corrosion resistance
- Widely used in building, irrigation, industry and swimming pool
- EPDM/NBR/FKM/(NR-SBR) seal
- Chromate shaft for higher strength and corrosion resistance
- Maintenance, replacement and remove convenient



Torque Test (ISO 8233)

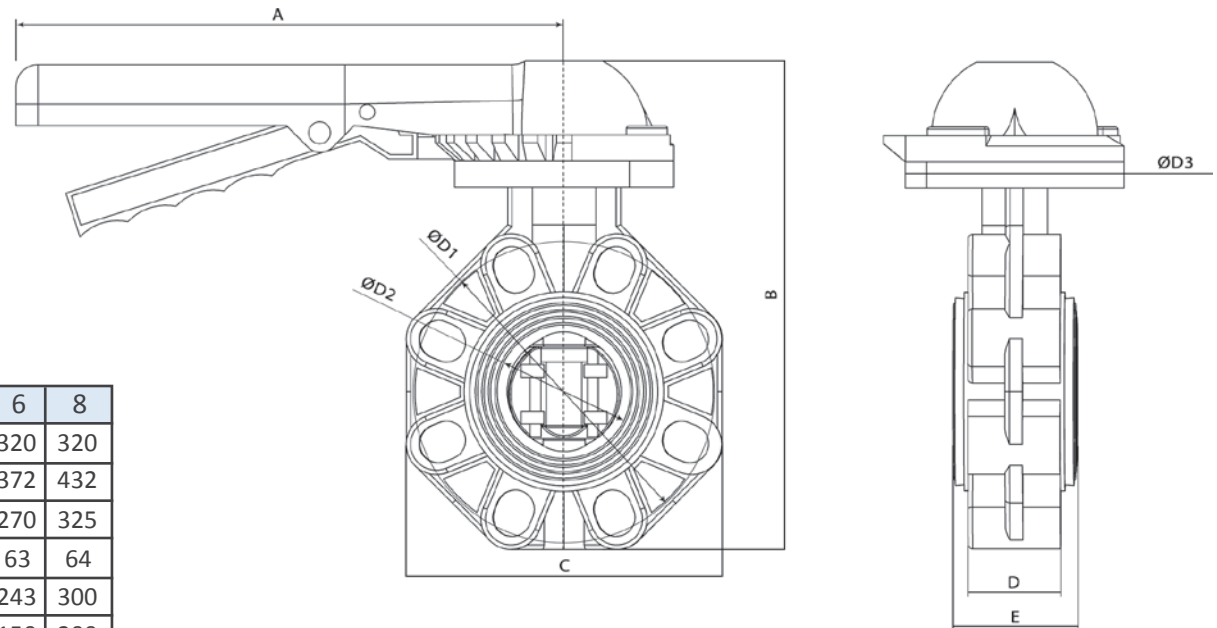
Nominal Diameter (inch)	2	3	4	5	6	8
Torque (n/m)	11	20	27	48	69	76

Resistance to Internal Hydrostatic Pressure Test(ISO 1-9393)

Testing Temperature (°C)	Valve Status	Testing Pressure(bar)	Testing Time(hour)	Result
25	Open	32	1	Good

Valve performance by increasing the hydraulic pressure

Testing Temperature (°C)	Upstream Hydraulic Pressure(bar)	Flow Rate(m/s)	Testing Time(s)	Result
25	15	0.1	30	Good



Product Dimensions

Size(inch)	2	2/1 2	3	4	5	6	8	
Dimension (mm)	A	250	250	250	250	320	320	320
	B	224	250	260	296	346	372	432
	C	146	170	178	215	245	270	325
	D	42	44	44	50	58	63	64
	D1	123	145	155	192	218	243	300
	D2	54	65	80	100	125	150	200
	D3	100	100	100	100	140	140	140
	E	56	56	56	67	76	84	84

Parts Material

No.	Name	Material
1	Cap	ABS
2	Screw	Stainless Steel
3	Handle	ABS
4	Handle Support	POM
5	Indicator	UPVC
6	Stem Holder	PP
7	Pin	Stainless Steel
8	Lever	PP
9	Stem	Stainless Steel
10	Body	GRPP
11	Disk	ABS, UPVC
12	Seal	EPDM, NBR, SBR, FKM
13	Spring	Stainless Steel
14	Nut & Bolt	Stainless Steel
15	O-Ring	NR/SBR

